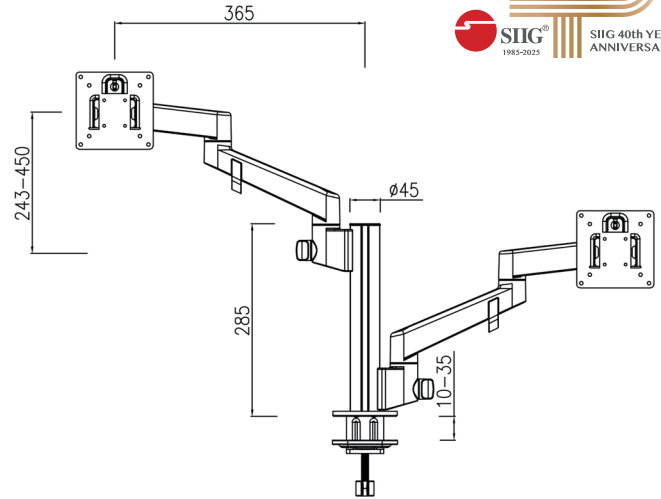


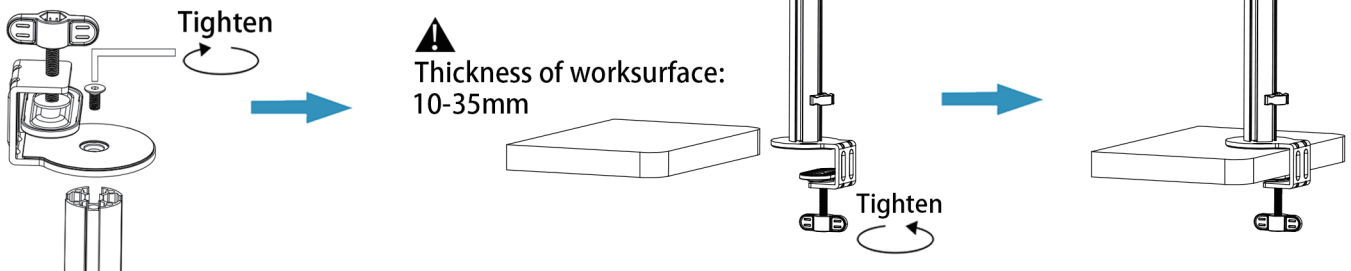
Dual Pole Arm Multi-Angle Replaceable Articulating Monitor Desk Mount

Loading capacity
1-8 Kg (2.2-17.6 lbs)
Screen size: 17"-29"

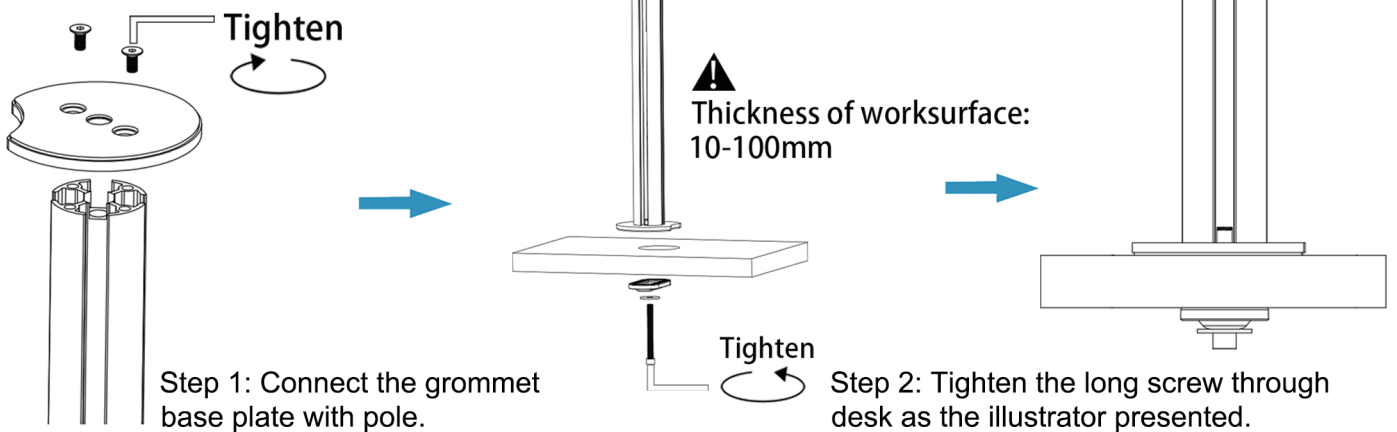
P/N CE-MT3E11-S1
 04-1326C_40th



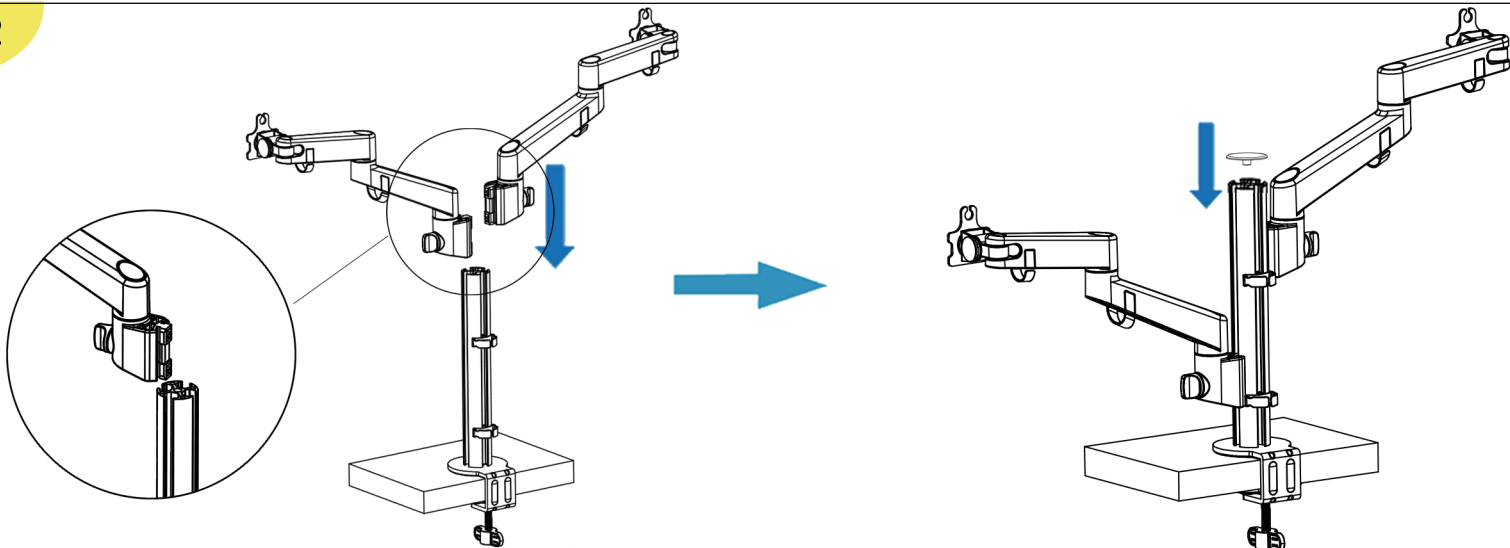
1A Base Installation-Clamp



1B Base Installation-Grommet



2



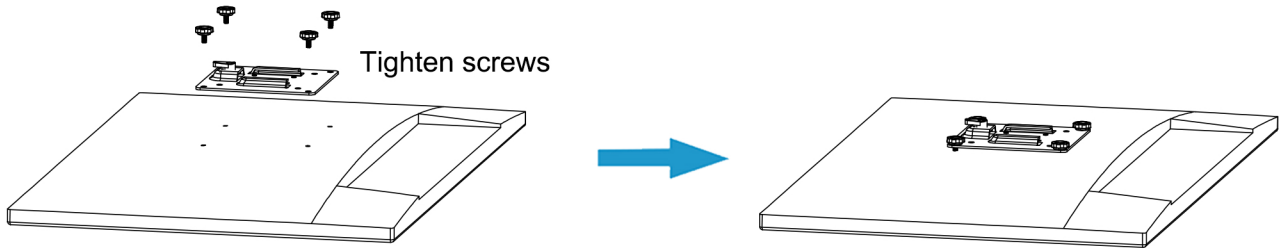
Step1: Loosen the knob on the arm, then slide the arm into the pole.

Step2: Tighten the knob on the arm when it reaches required height.

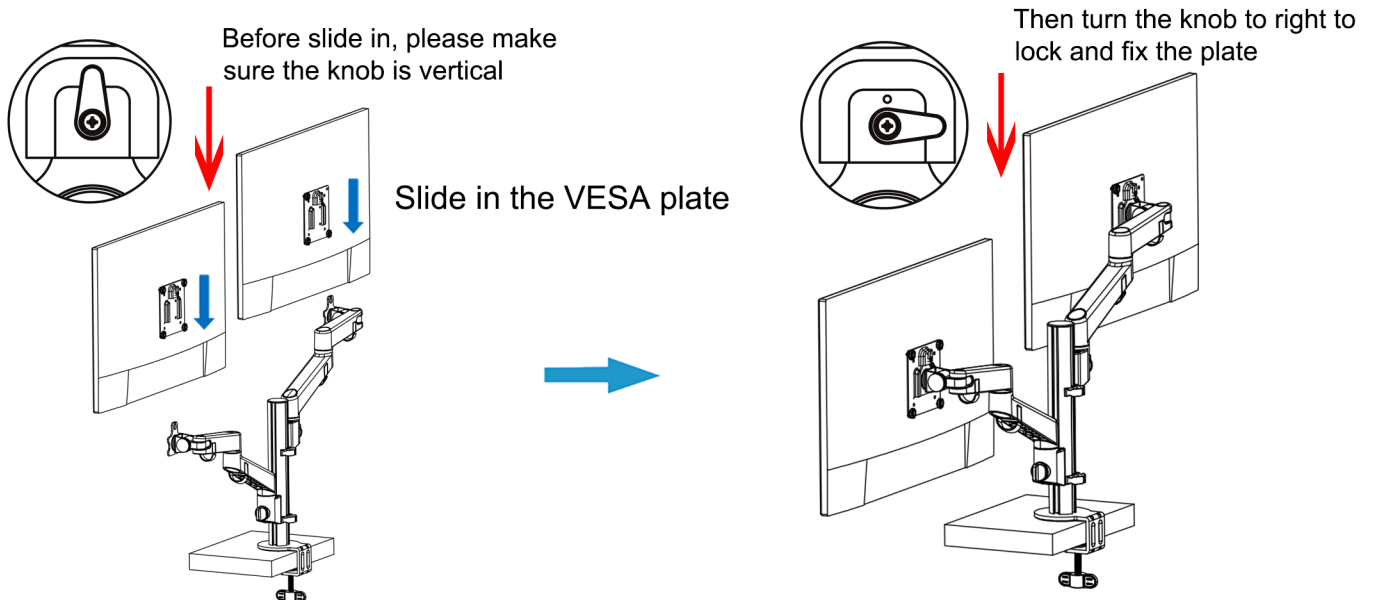
NOTE: Please DO make sure the arm is firmly fixed on the pole.

Step3: Cover the top cap.

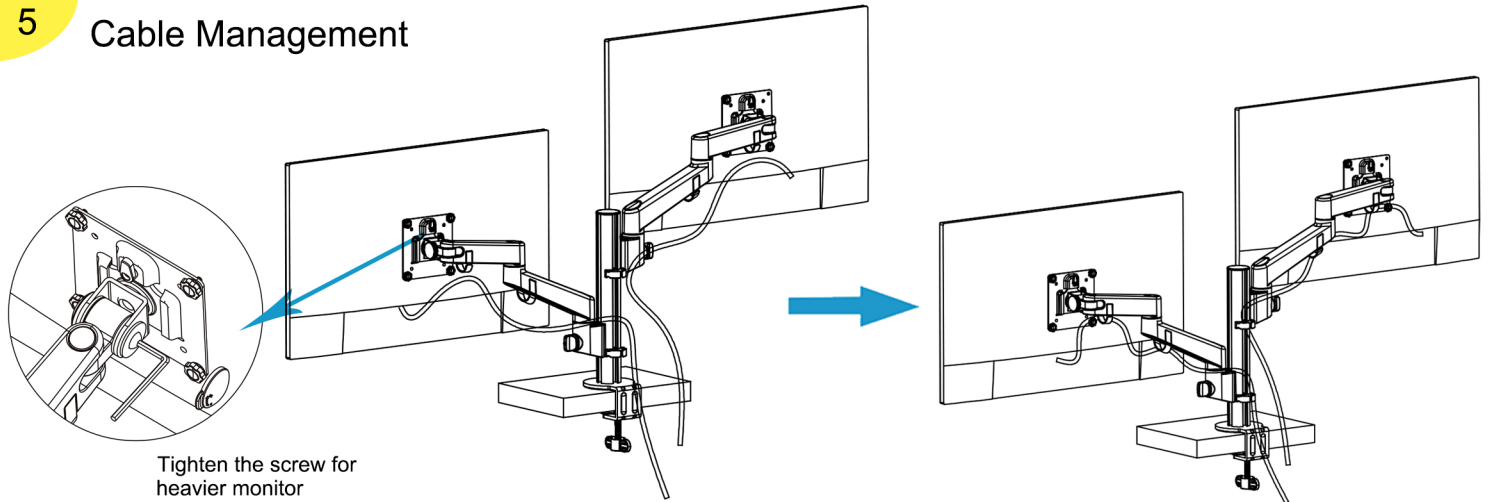
3 VESA plate installation




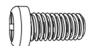


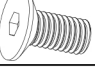

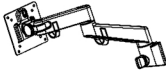
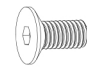





4 Monitor installation



5 Cable Management



Parts list

Item	Description	Quantity	Item	Description	Quantity
	Pole	1		Monitor Screw(M4*12)	8
	Clamp base	1		Grommet base plate	1
	Screw for clamp base	1		Spacer for grommet	1
	Arm	2		Screw for grommet plate	2
	Allen Wrench	2		Long Screw for grommet	1
	Top Cap	1		Fixing Plate for grommet	1
	Monitor Screw(M4*9)	8			